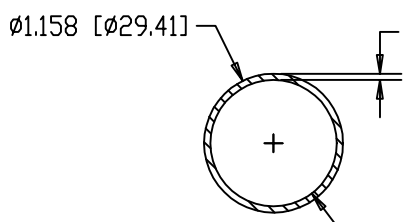
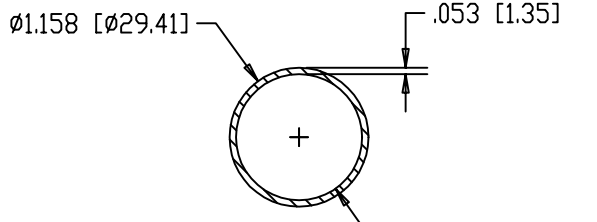


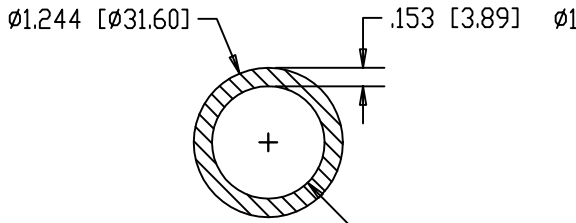
DETAIL FINISH
 SCALE 2.000



A - A

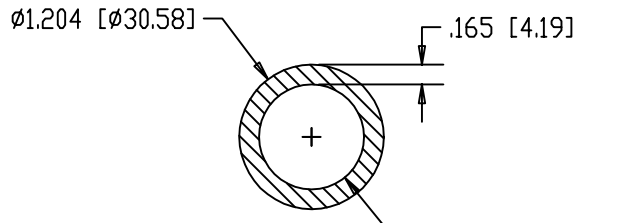


B - B

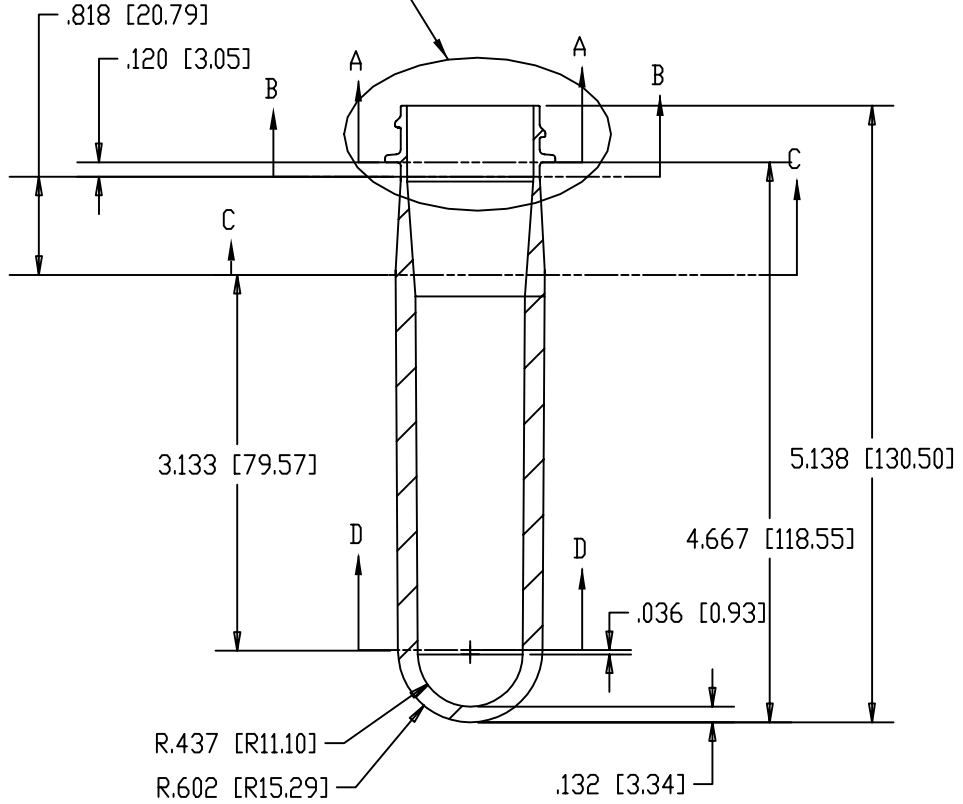


C - C

SEE DETAIL
 FINISH



D - D



| | | |
|-----------|--------------------------|--------------------|
| PRXX-XXX | 33-MM SP400 | DEVTECH LABS, INC. |
| 14-SEP-05 | 50.0-GRAM PREFORM DESIGN | |
| | B0337P/D01C | |