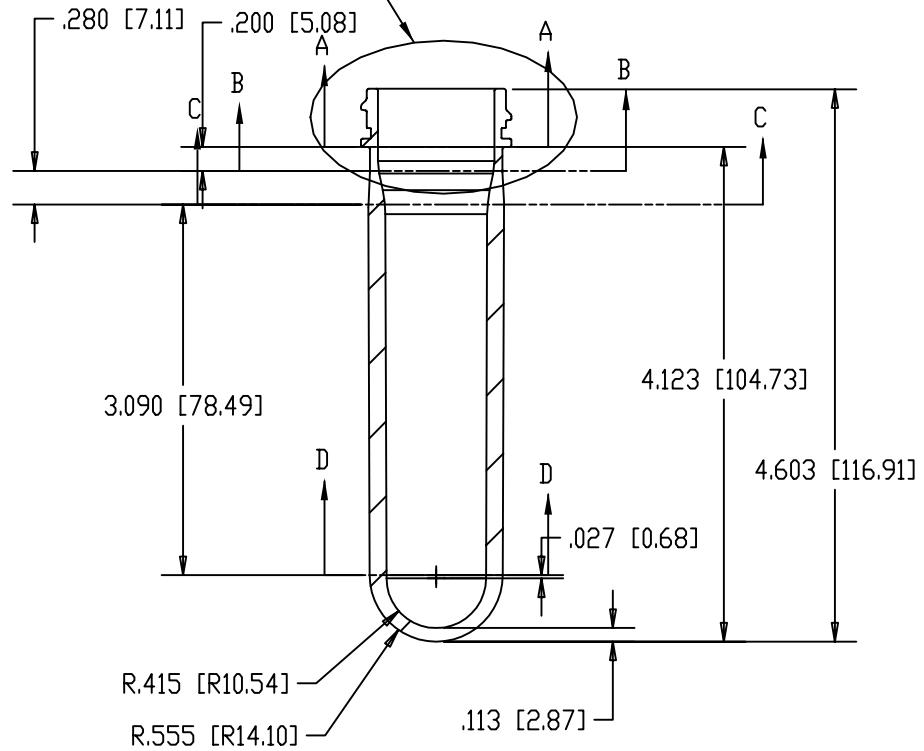
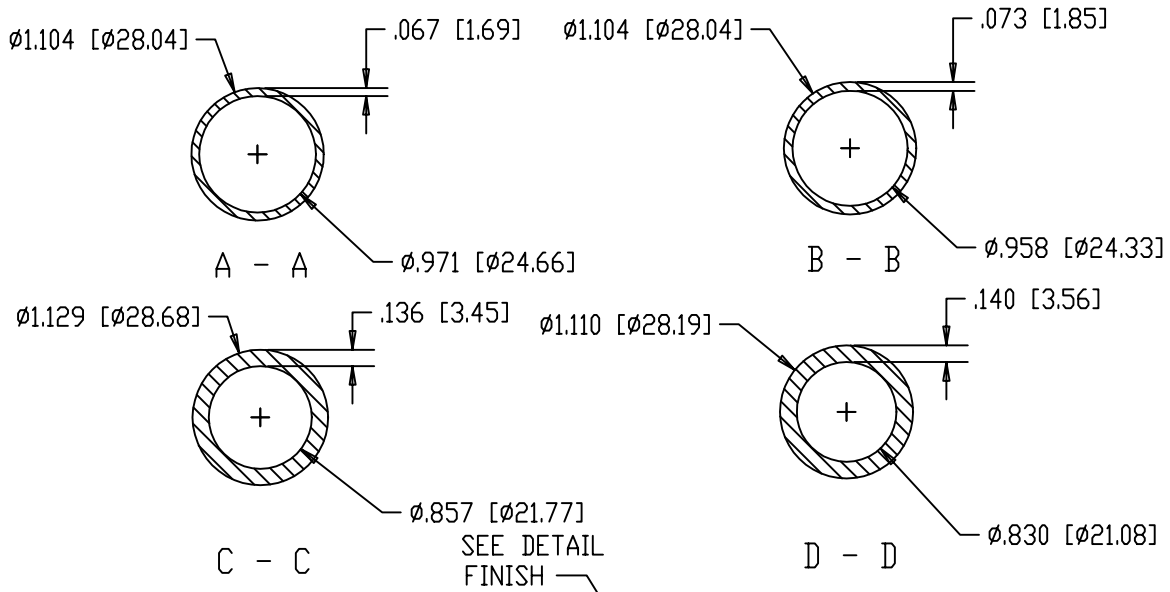


DETAIL FINISH
SCALE 2.000



PROJ-225

33-MM SP400

24-OCT-05 400-GRAMS ± 0.3

0030_06_PD_B_00

400-GRAM 33-MM SP400 PREFORM DESIGN

DEVTECH LABS, INC.