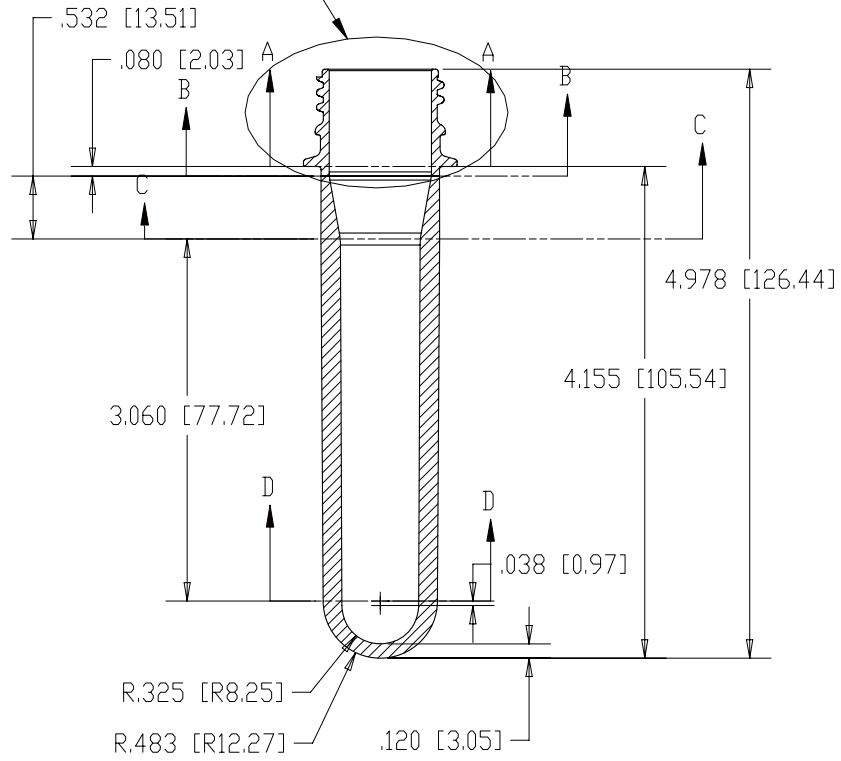
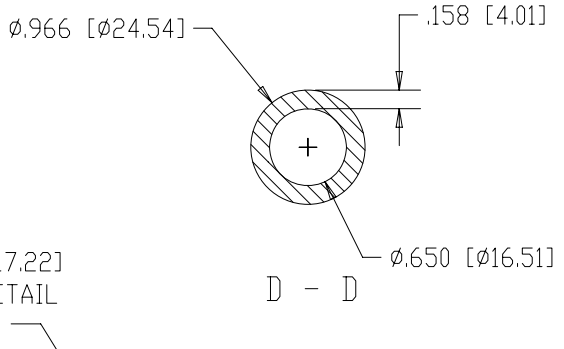
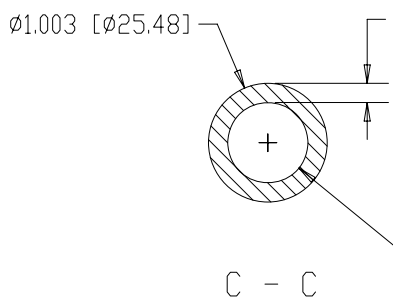
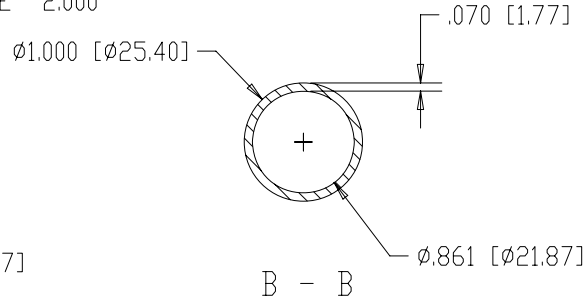
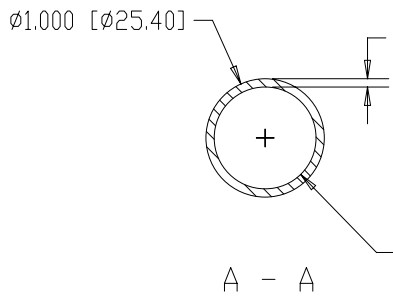


ALCDA 28-MM 1810 PCD
 DETAIL FINISH
 SCALE 2.000



PR06-418	28-MM PCD ALCDA 1810
26-JUN-06 401-GRAMS ± 1	DEVTECH LABS, INC. 40-GRAM PREFORM DESIGN
	0107-06-PD-B-02