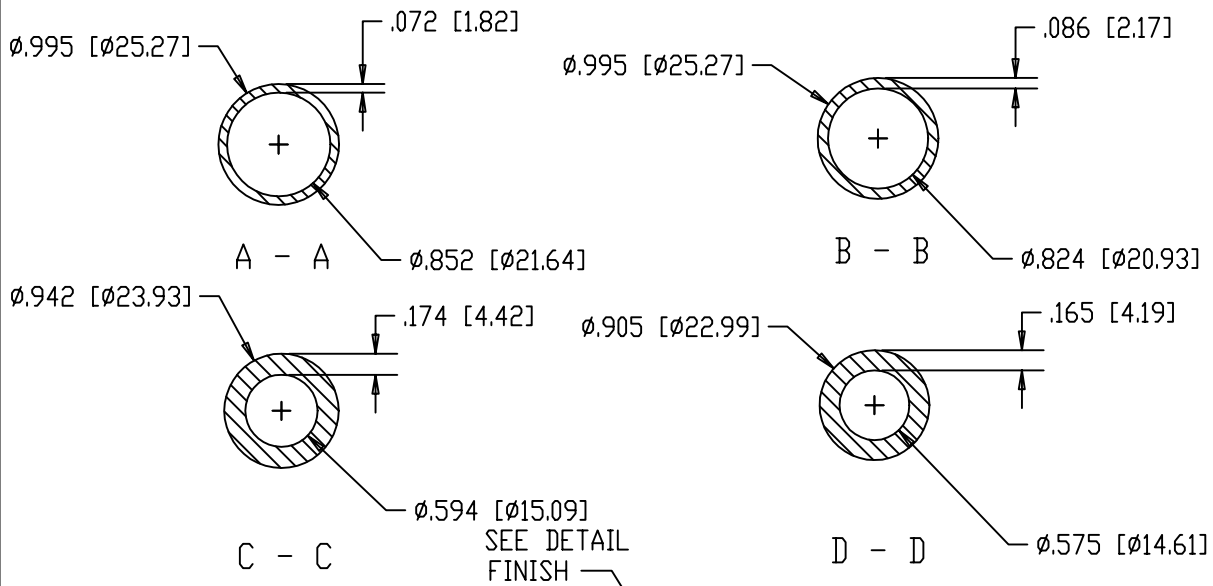
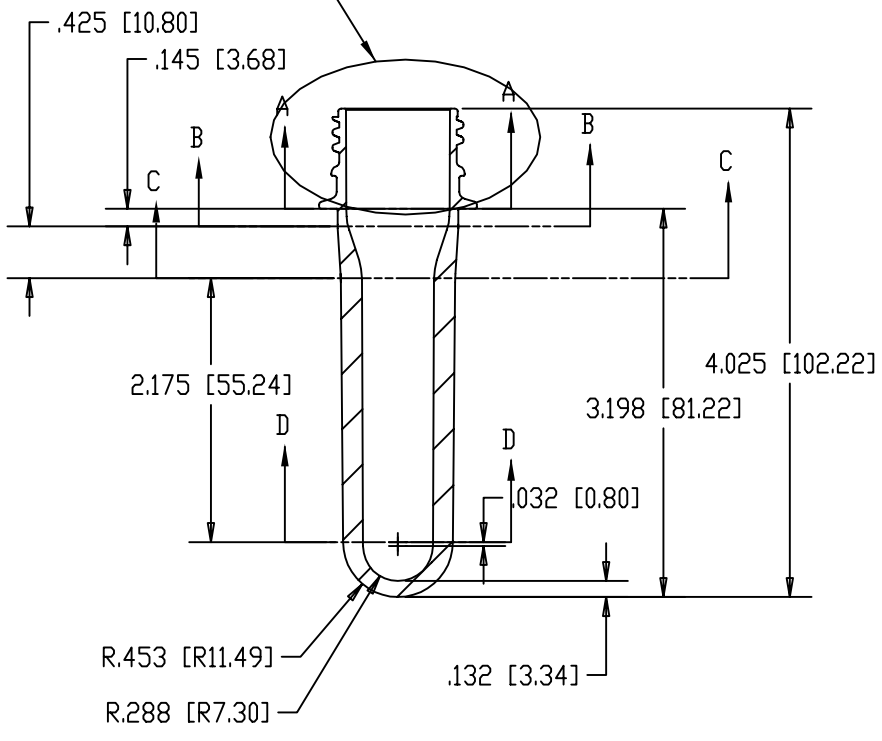


DETAIL FINISH
 SCALE 2.000



SEE DETAIL FINISH



PR05-225	28-MM	DEVTECH LABS, INC.
	ALCOA 1810	
24-DCT-05	PCO	31.0-GRAM 28-MM PCD PREFORM DESIGN
	0027_06_PD_B_00	
31.0-GRAMS ± 0.3		