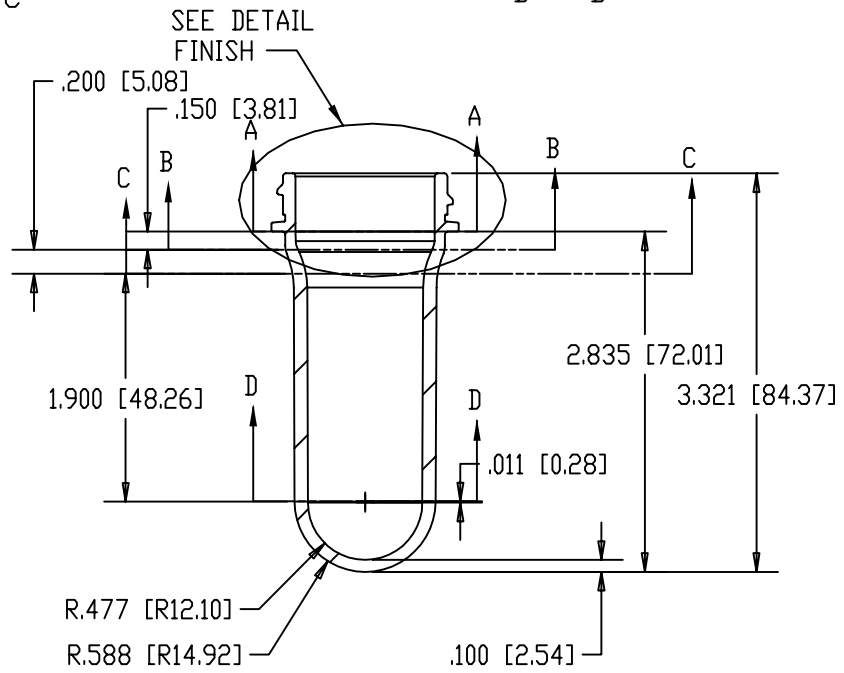
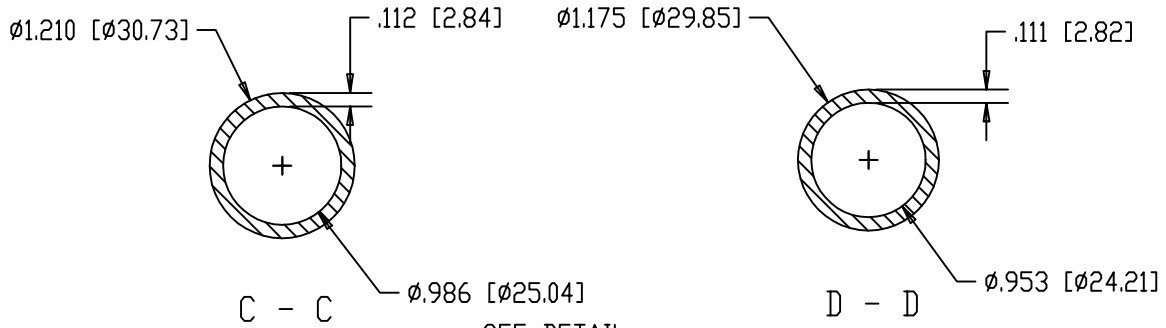
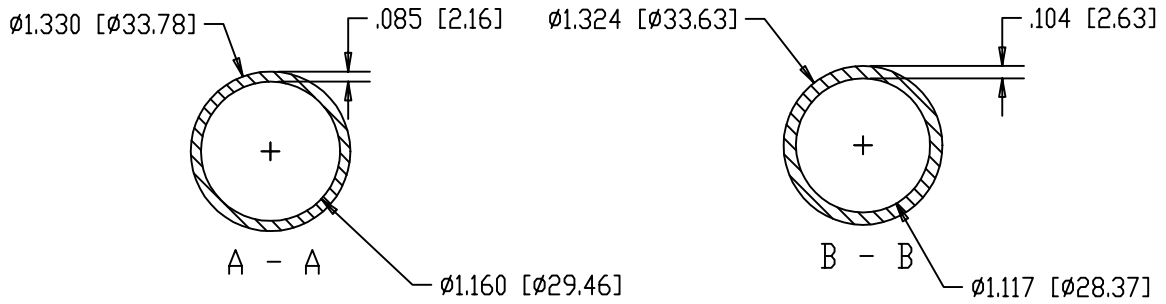


DETAIL FINISH  
SCALE 2.000



PROJ-225	38-MM SP400	
	DEVTECH LABS, INC.	
25-OCT-05 28.0-GRAMS ± 0.3	28.0-GRAM 38-MM SP400 PREFORM DESIGN	
	0032_06_PD_B_00	