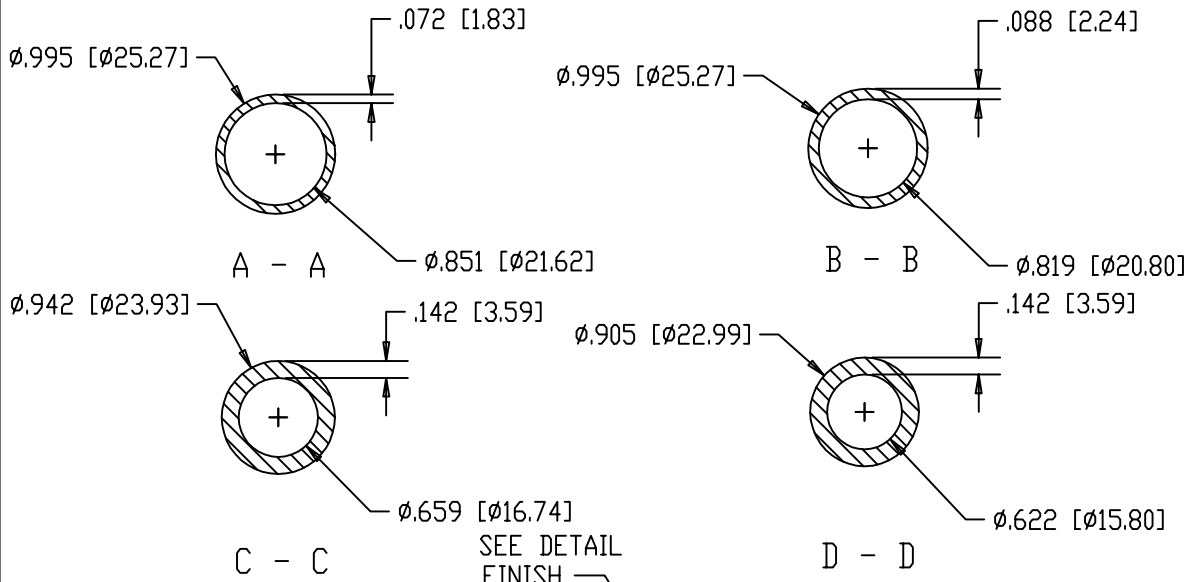
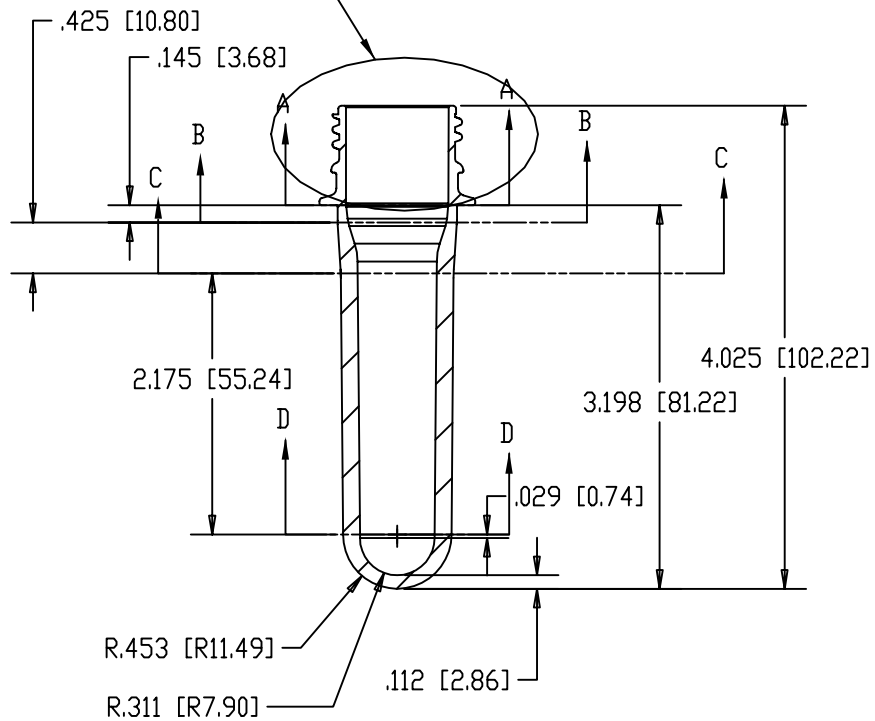


DETAIL FINISH
 SCALE 2.000



SEE DETAIL
 FINISH



PROJ-225	28-MMALCOA 1810 PCD	DEVTECH LABS, INC.
21-DCT-05 / 280-GRAMS ± 0.3	280-GRAM 28-mm PCD PREFORM DESIGN	
	0026_06_PD_B_00	