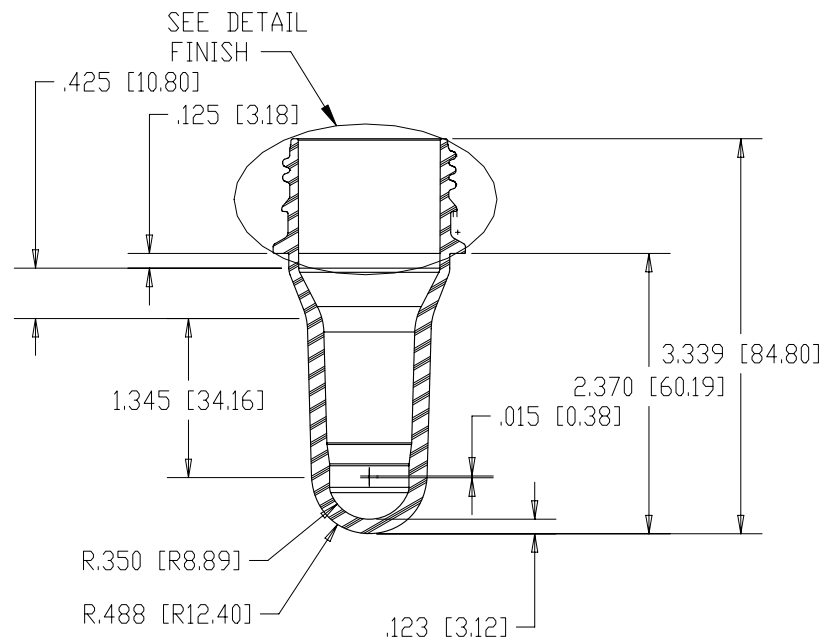
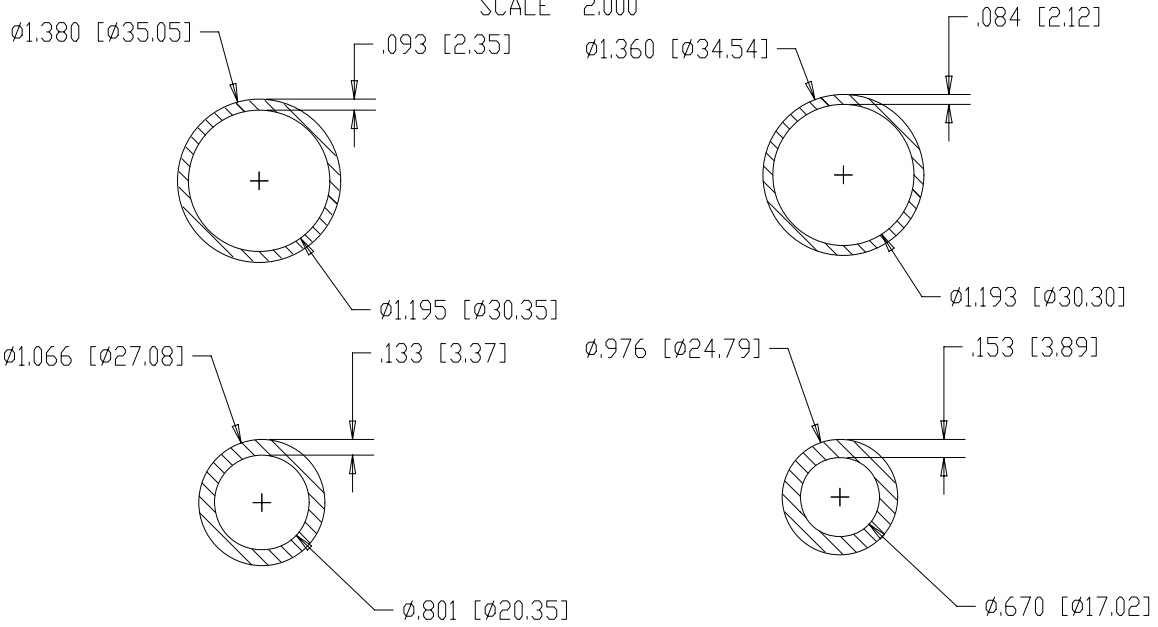


ALCOA 38-MM 1810 PCO
DETAIL FINISH
SCALE 2.000



PR07-132

38-MM PCO

10-AUG-07 | 282-GRAMS ± 1

28.2-GRAM PREFORM DESIGN

DEVTECH LABS, INC.

0428-07-PD-B-00