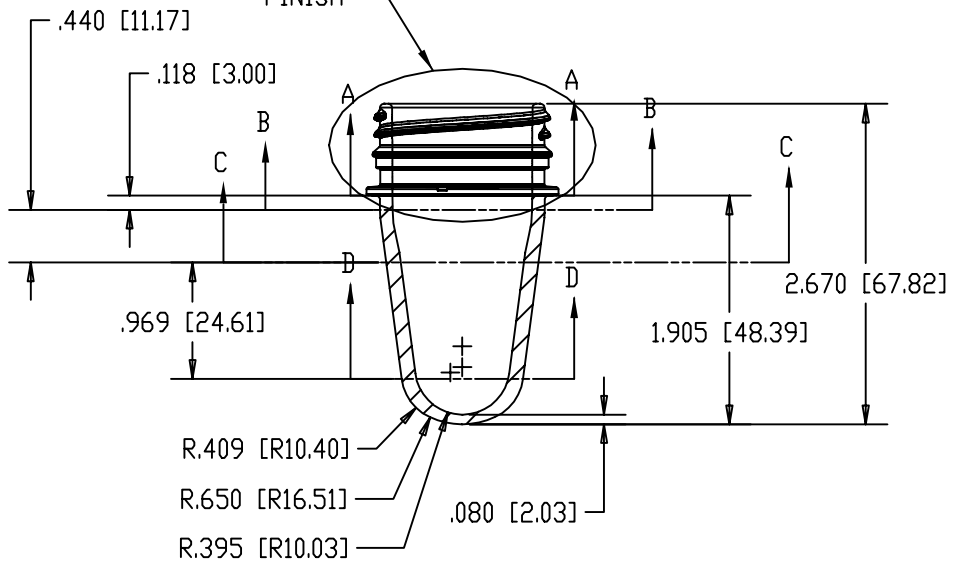
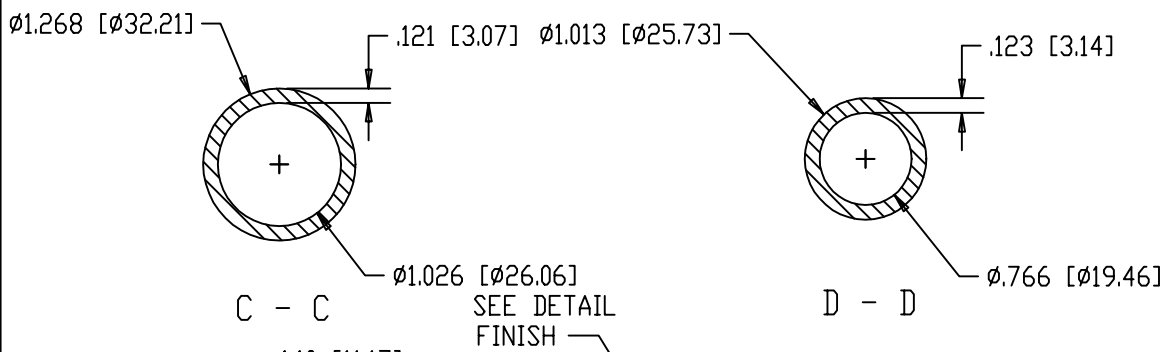
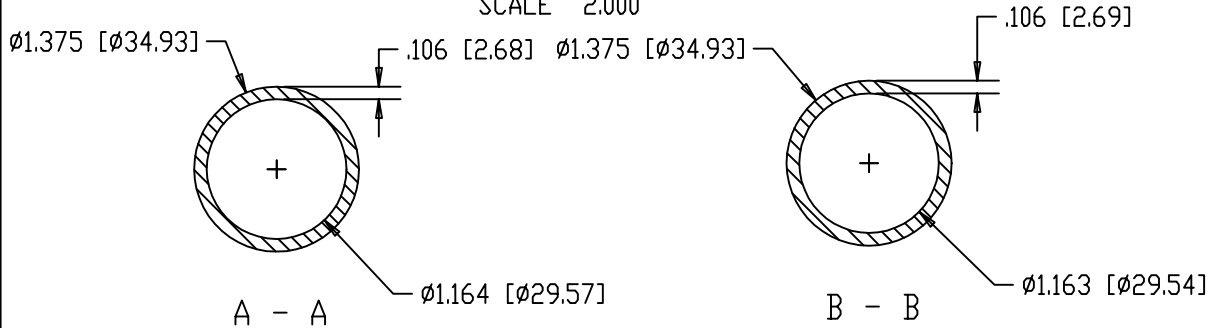


DETAIL FINISH
SCALE 2.000



PROJ-225	38-MM ALCOA	DEVTECH LABS, INC.
	1843	
27-SEP-05	27.0-GRAMS ± 0.3	0003-05-PD-B-00
	27.0-GRAM PREFORM DESIGN	