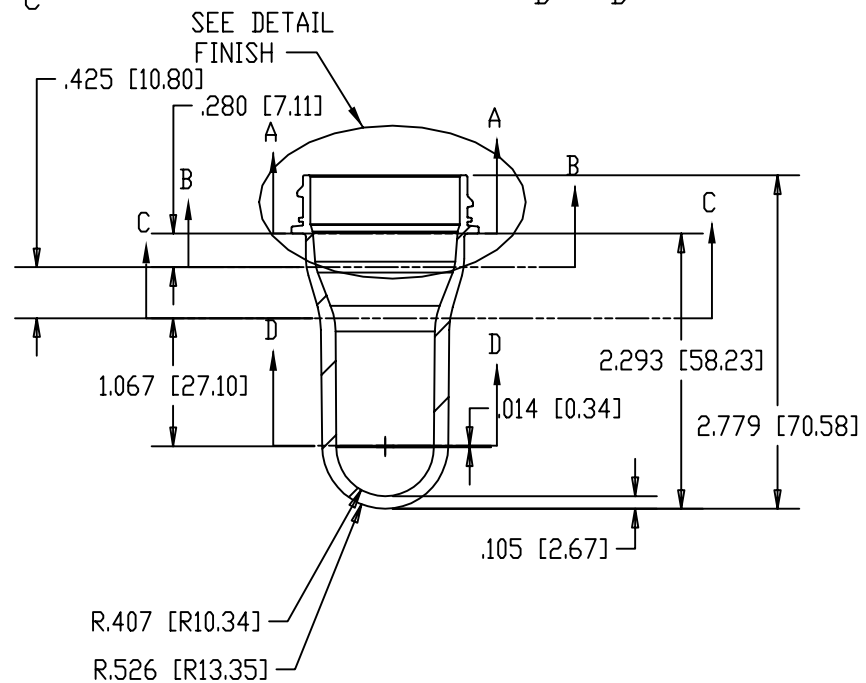
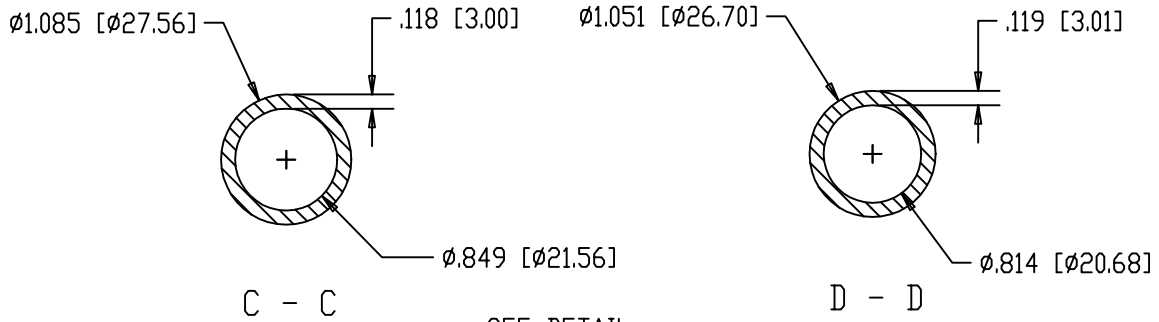
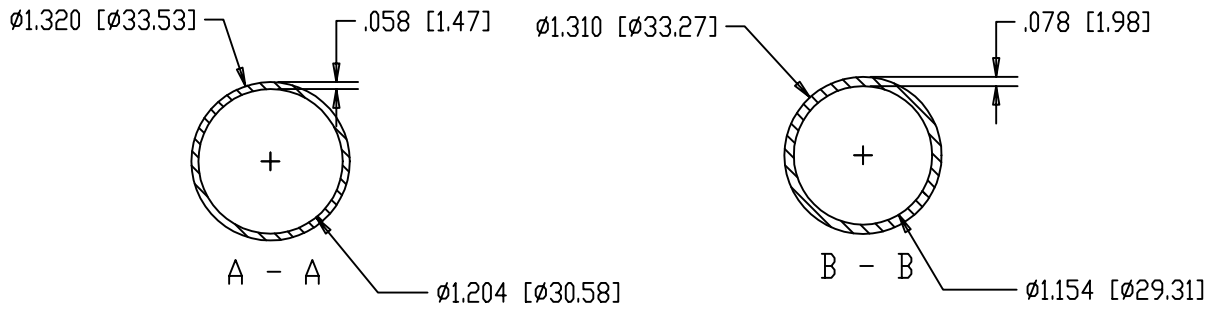


DETAIL FINISH
SCALE 2.000



PROJ-225	38-MM SP400	
	DEVTECH LABS, INC.	
25-OCT-05	20.5-GRAMS ± 0.3	0033_06_PD_B_00
20.5-GRAM 38-MM SP400 PREFORM DESIGN		