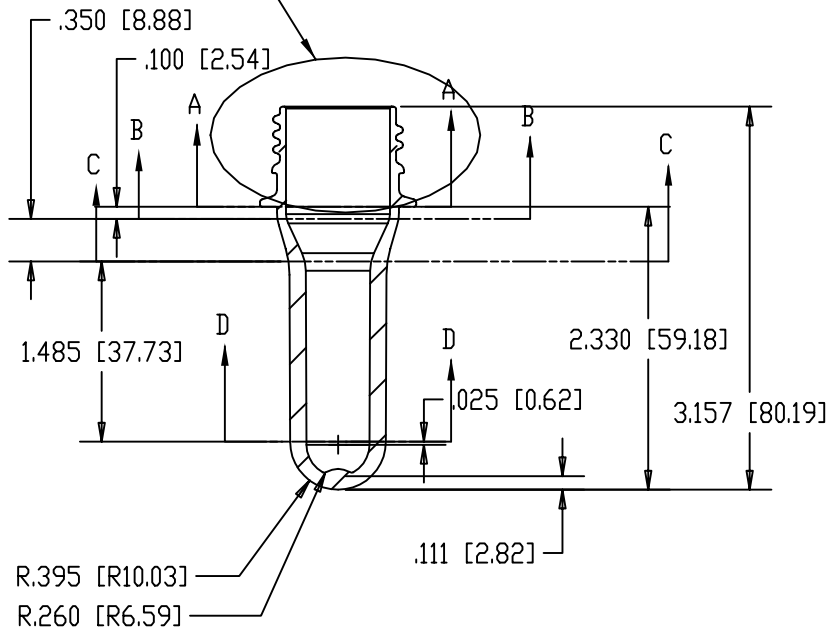
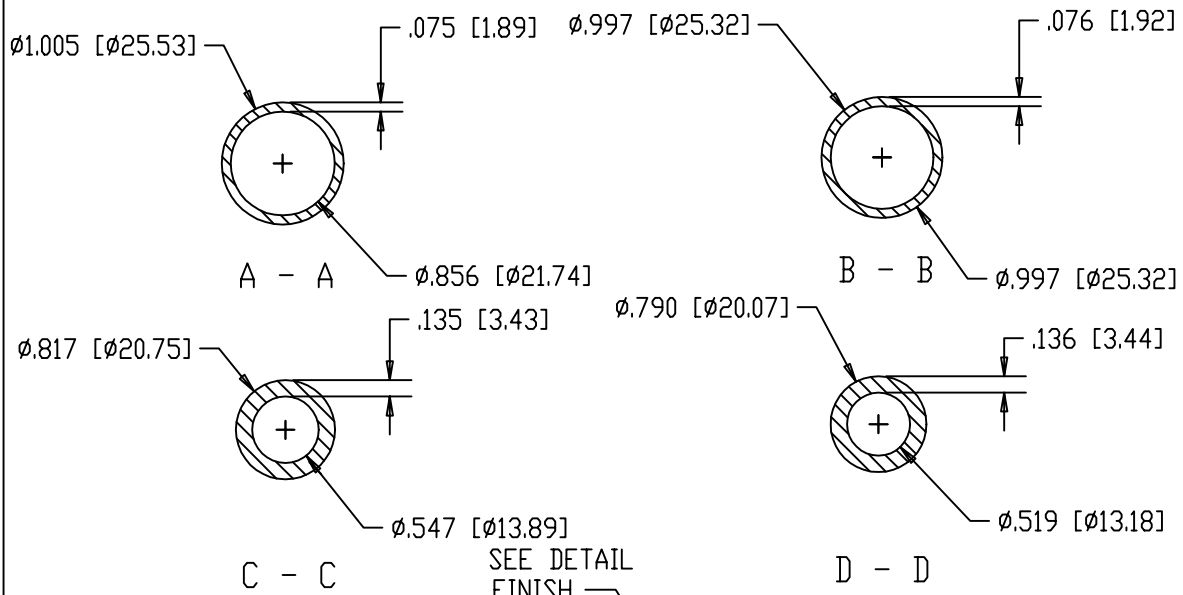


DETAIL FINISH
SCALE 2.000



PR05-225	28-MM 1810 PCO	
	DEVTECH LABS, INC.	
21-OCT-05	18.5-GRAM 28-MM PCO PREFORM DESIGN	
18.5-GRAMS ± 0.3	0029_06_PD_B_00	