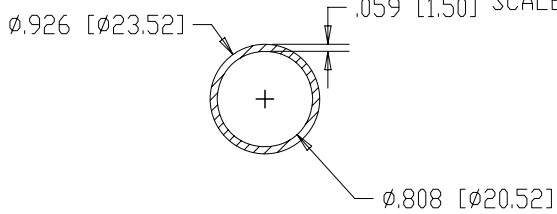
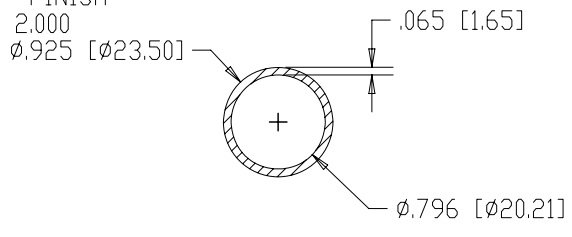


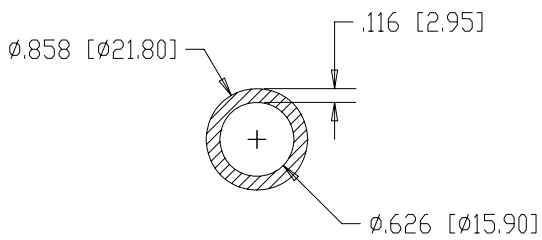
DETAIL FINISH
SCALE 2.000



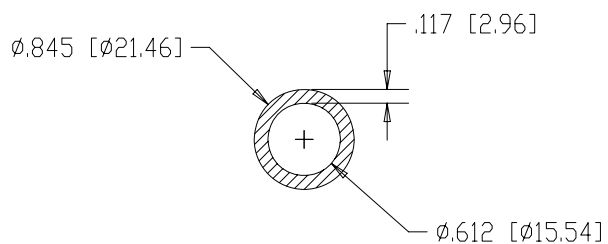
A - A



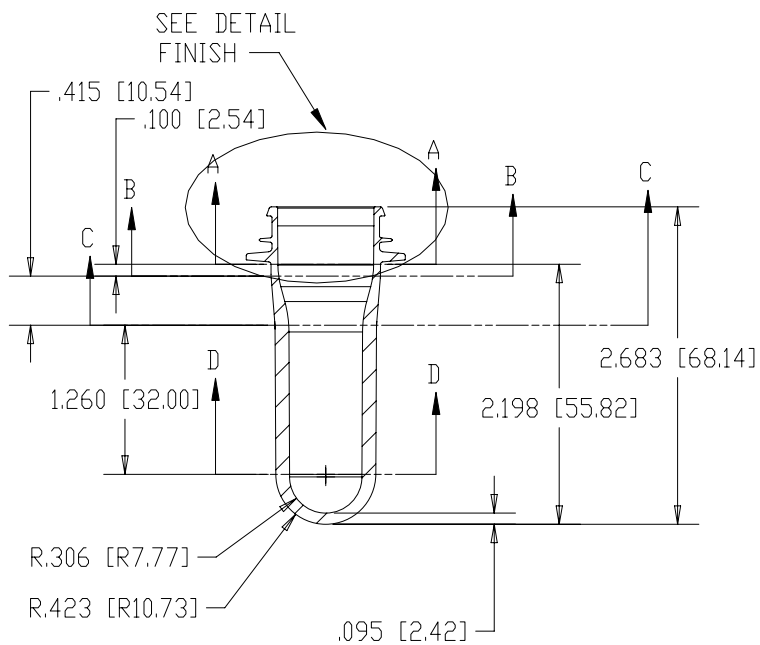
B - B



C - C



D - D



PR05-225	28-MM CLEM PDR1DLA N282105B	DEVTECH LABS, INC.
	15.0-GRAM CLEM FINISH PREFORM DESIGN	
05-OCT-07	14.9-GRAMS ± 0.3	0453-08-BD-B-00